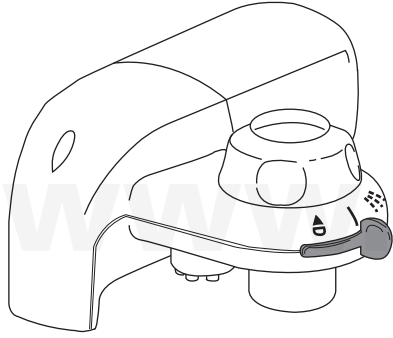


Please Read All Instructions Before Using


Tap Filter System

 Model: F8-W
F8-C

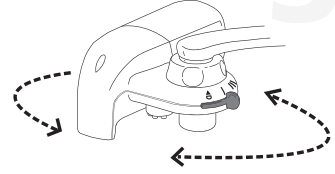
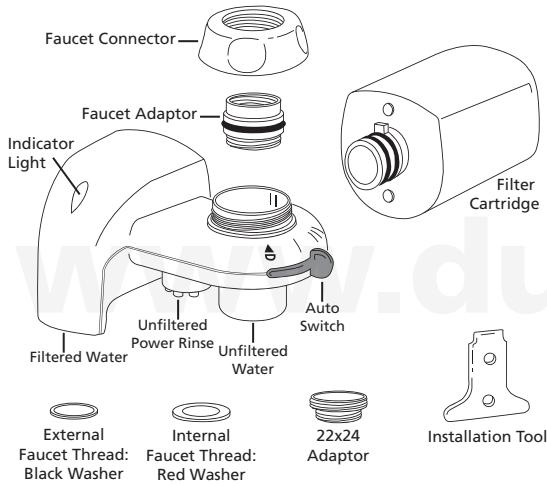
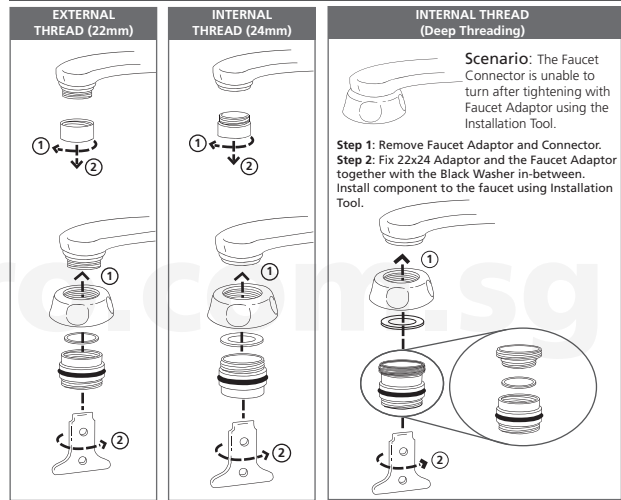
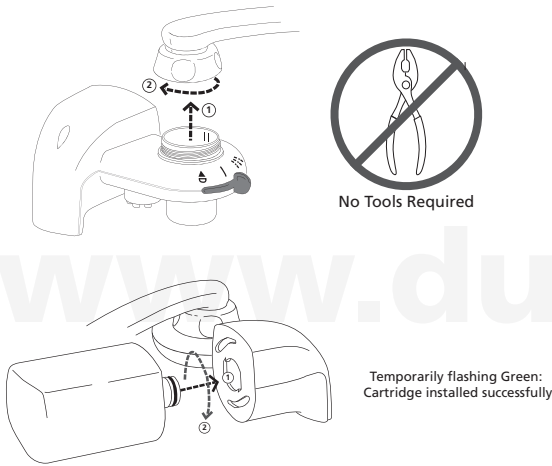
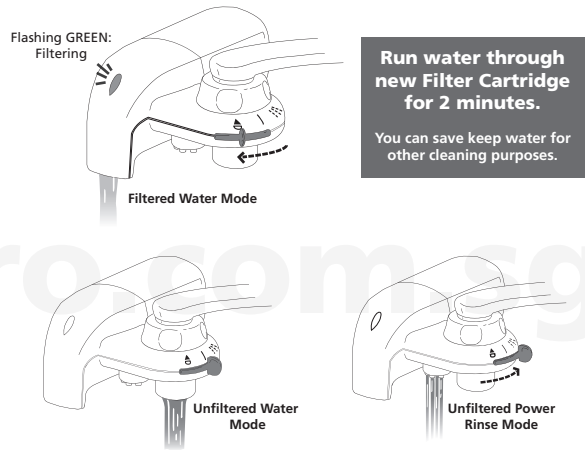
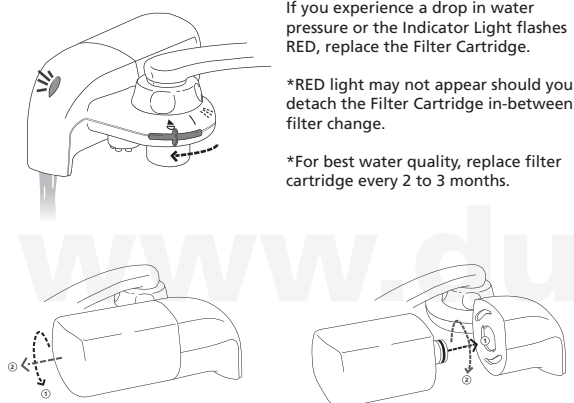
 Installation instructions,
care and use.

IMPORTANT SAFEGUARDS:

- Do not use with microbiologically unsafe water or water of unknown quality without adequate disinfection before or after the system. However, this filter may be used with disinfected water systems which may contain filterable cysts, such as giardia and cryptosporidium.
- Use the filtered mode only with COLD water, DOT NOT FILTER HOT WATER.
- Not intended for outdoor applications.

SAVE THESE INSTRUCTIONS

Your **instapure Tap Filter System** was designed with a special feature that allows you to swivel the filter on your tap. **Do Not Over Tighten** - tightening will not prevent movement. If leakage should occur, see troubleshooting section in this instruction manual.


1. PARTS LIST

2. FAUCET SET-UP

3. INSTALLATION

4. USE

5. FILTER REPLACEMENT

TROUBLESHOOTING

Abnormally functioning filter life indicator	If the indicator light is flashing inconsistently or in abnormal patterns, the indicator will need to be reset. To reset, depress the reset button past the surface using a ball point pen. Reset button is located on back of housing. Once button is released, the indicator light will flash red/green for a few seconds.
Uneven and/or reduce unfiltered water flow.	Unscrew aerator screen cover, remove aerator and rinse thoroughly. Fix back the aerator.
Water leaking from faucet connector	Reinstall faucet adaptor with correct washer, and/or tighten faucet adaptor with installation tool.
Water leaking from more than one mode	Turn water off, then turn back on.
Difficulty changing from filtered mode	Turn water off, switch mode, and turn water back on.
No water flow in filtered mode	Dirt had cloaked up the filter cartridge. Change filter cartridge.